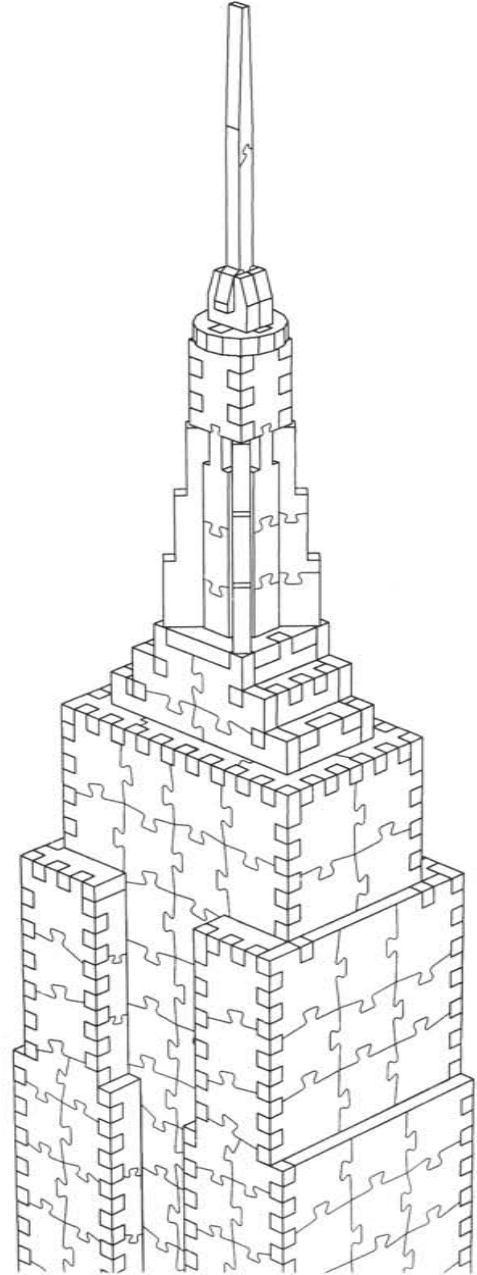
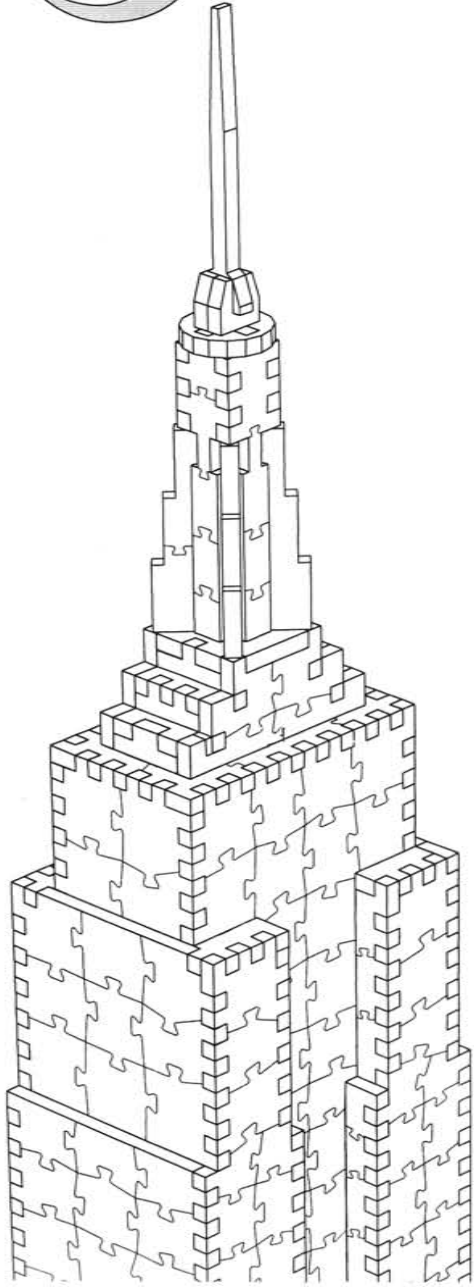


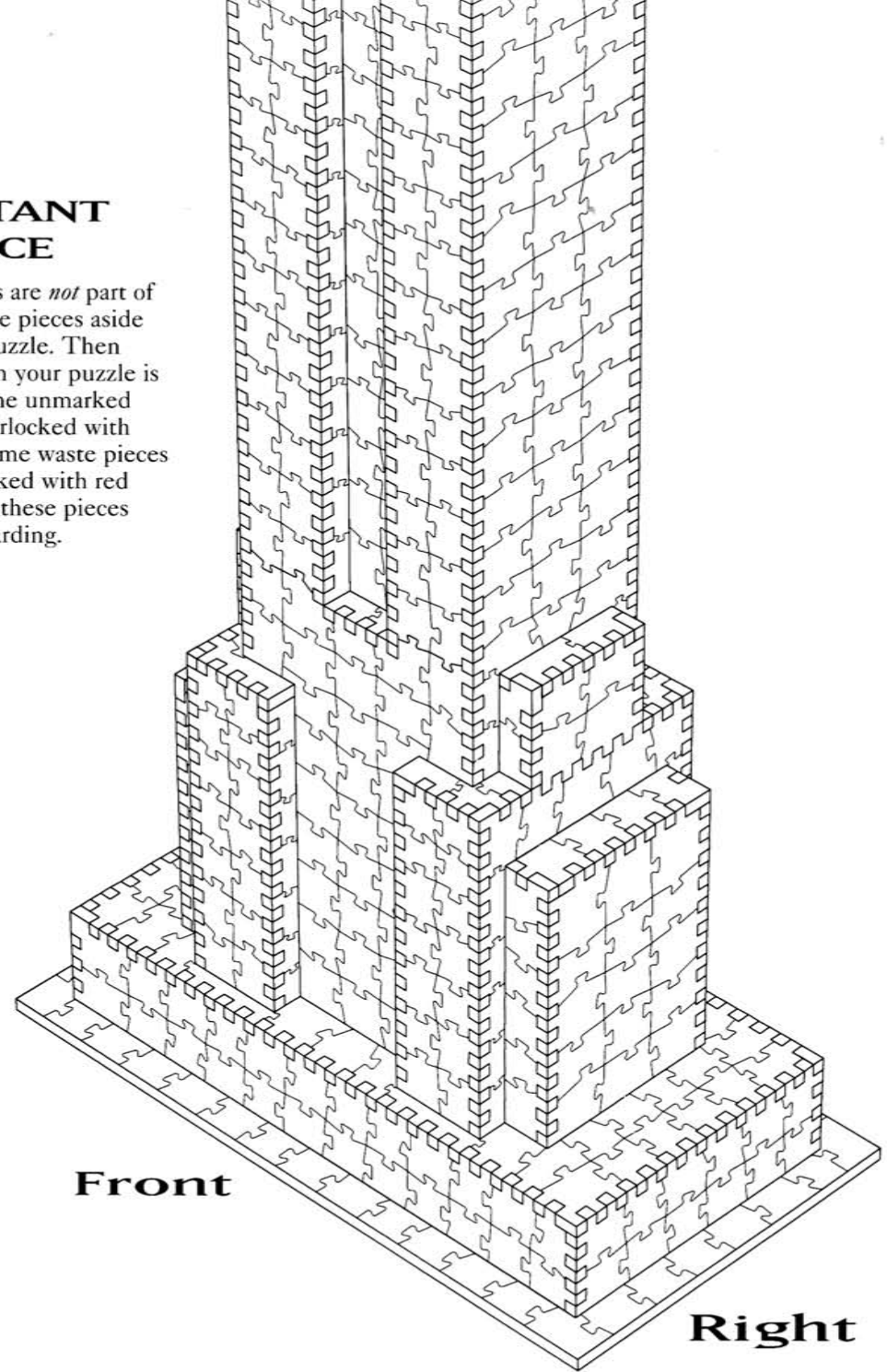
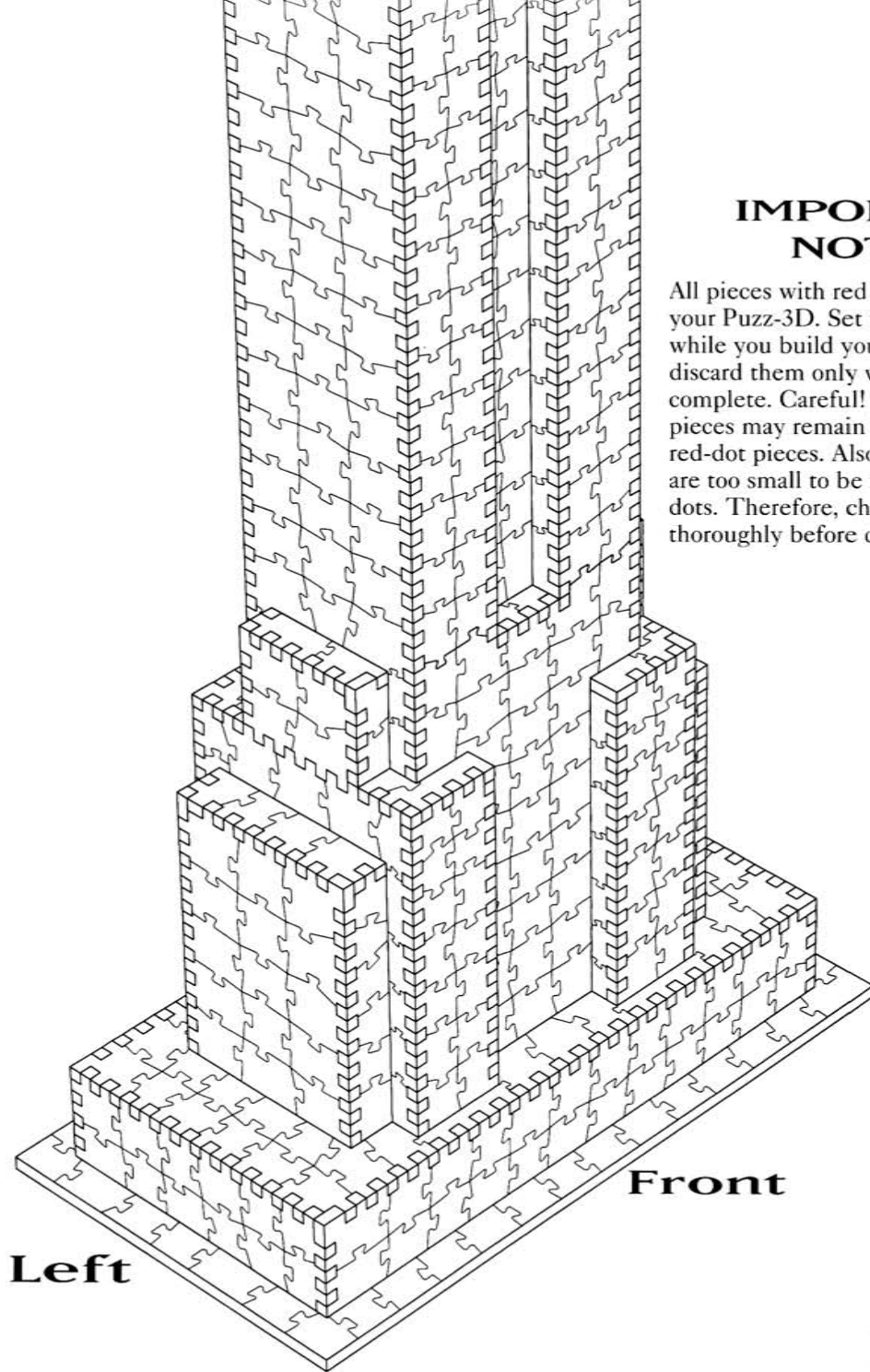
Puzzle 3D™

**Empire State
Building**



IMPORTANT NOTICE

All pieces with red dots are *not* part of your Puzz-3D. Set these pieces aside while you build your puzzle. Then discard them only when your puzzle is complete. Careful! Some unmarked pieces may remain interlocked with red-dot pieces. Also, some waste pieces are too small to be marked with red dots. Therefore, check these pieces thoroughly before discarding.



Helpful Hints

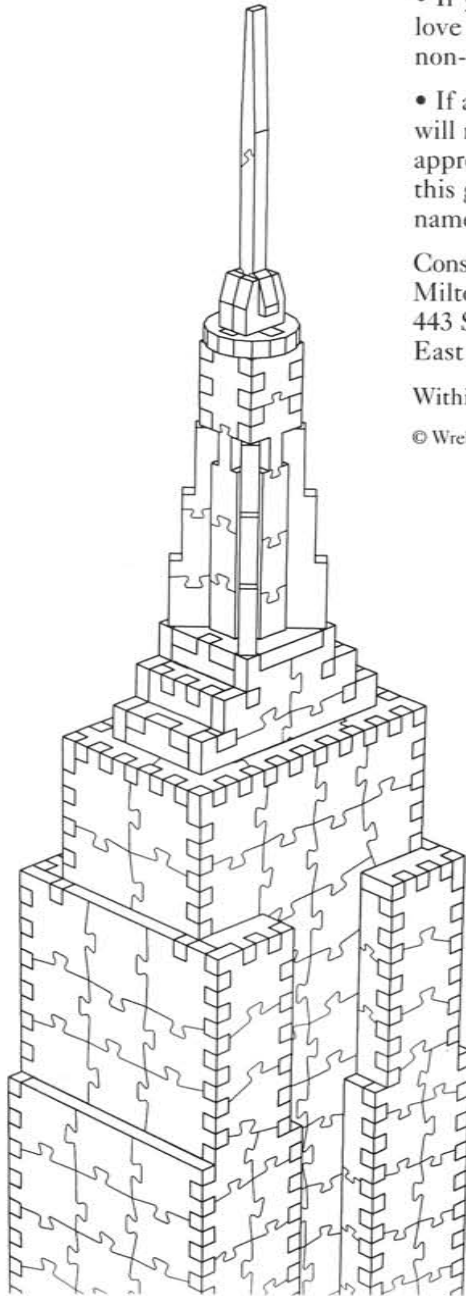
- Increased handling of your Puzz-3D does create some static cling. Keep an eye on your surroundings and your sleeves while you are working.
- If you have pets, keep them away from the puzzle. They love to play with the foam pieces, although the foam is non-toxic.
- If a piece of your Puzz-3D is missing or damaged, we will replace it. Simply indicate on this puzzle guide sheet approximately where the problem is occurring. Then send this guide sheet with the area circled, along with your name, address and phone number to:

Consumer Service
Milton Bradley Company
443 Shaker Road
East Longmeadow, MA 01028

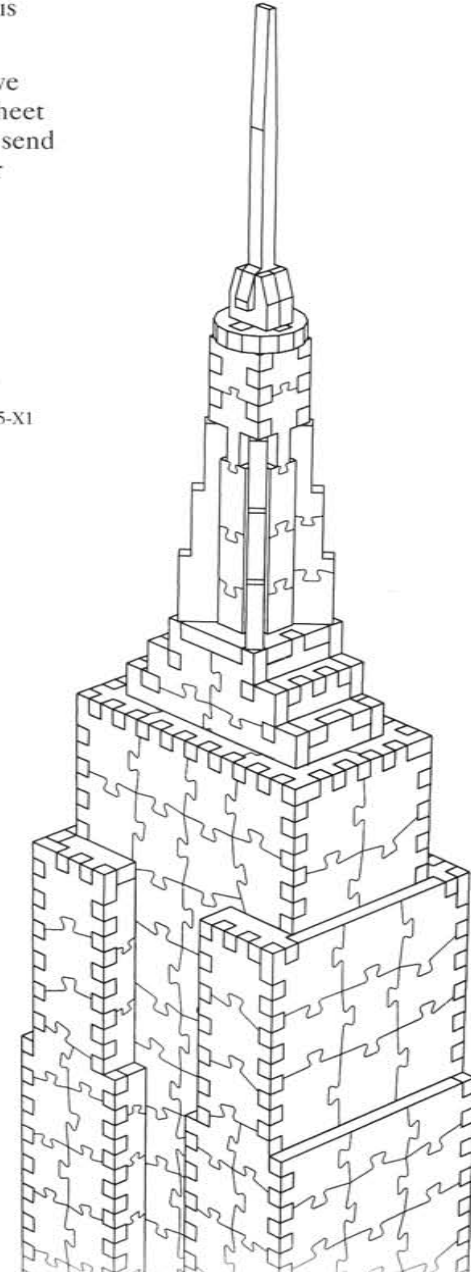
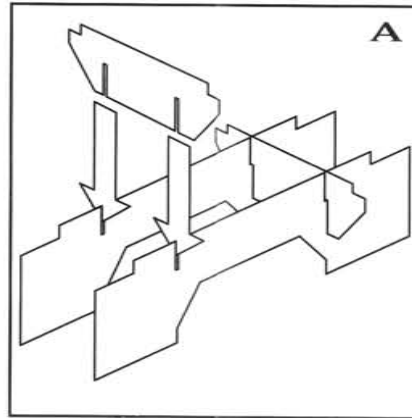
Within 2 to 4 weeks you will receive the required piece(s).

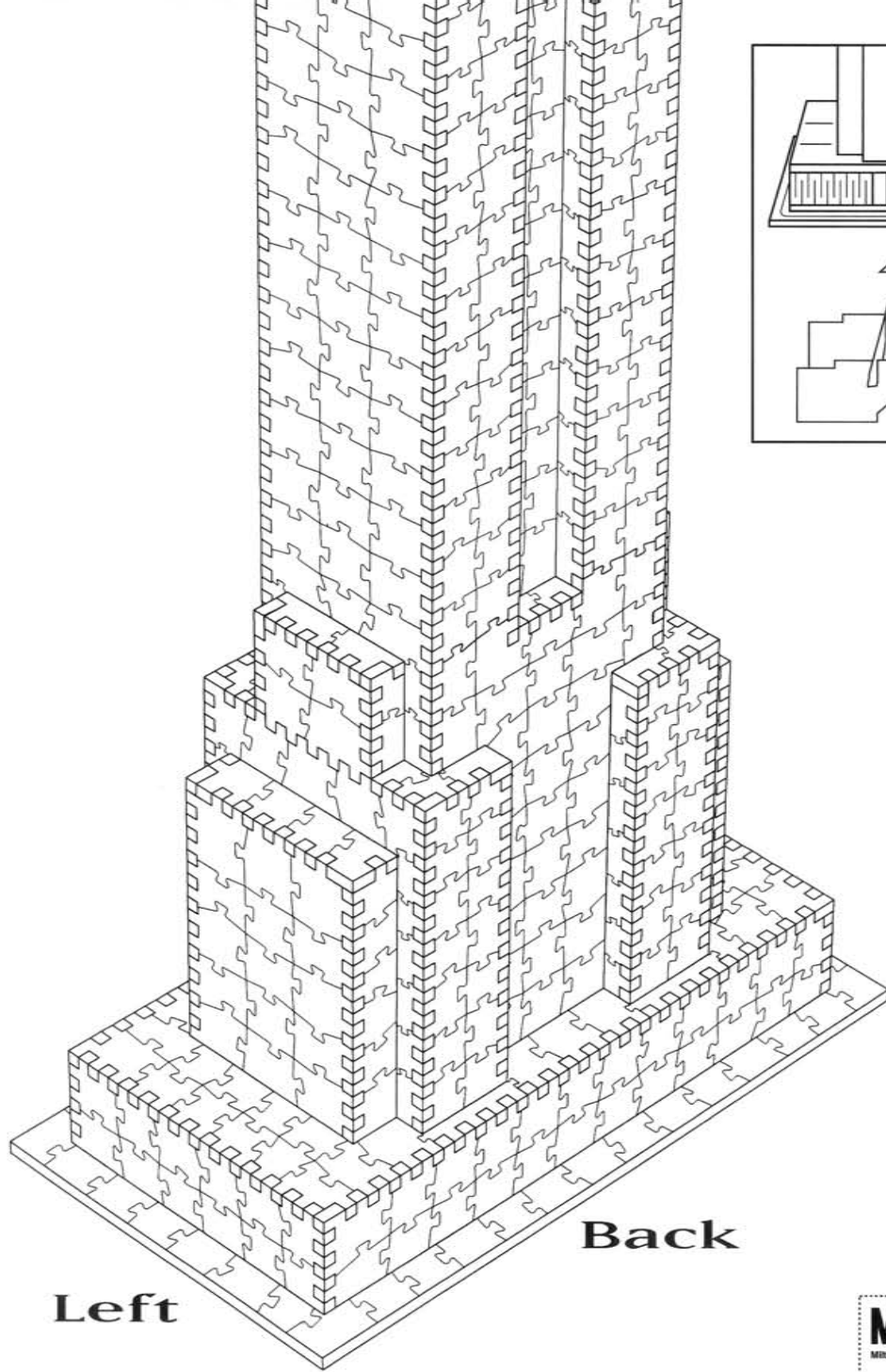
© Wreabbit Toys and Games Manufacturers, Inc.

4465-X1



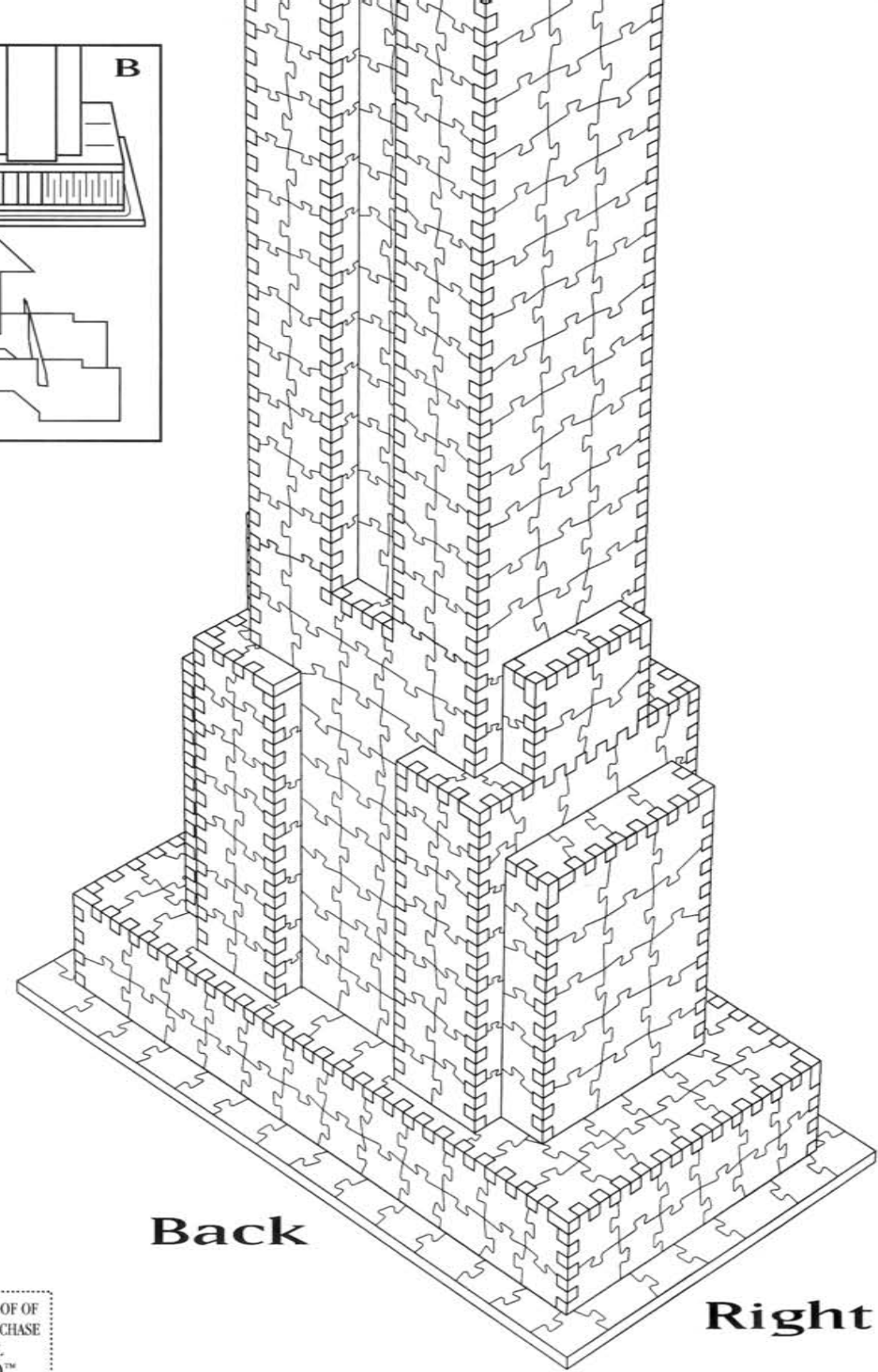
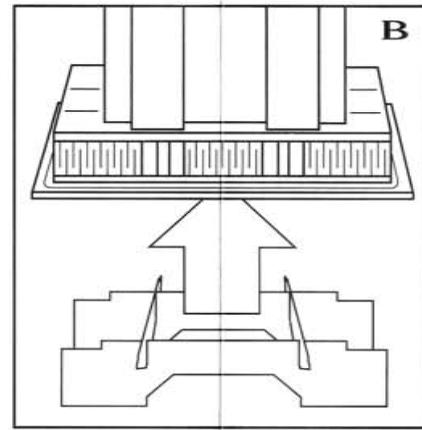
Assembly of Center Support





Left

Back



Right

MB
Milton Bradley
PROOF OF
PURCHASE
SEAL
PUZZ 3-D™
EMPIRE STATE
BUILDING